

Product Data Sheet



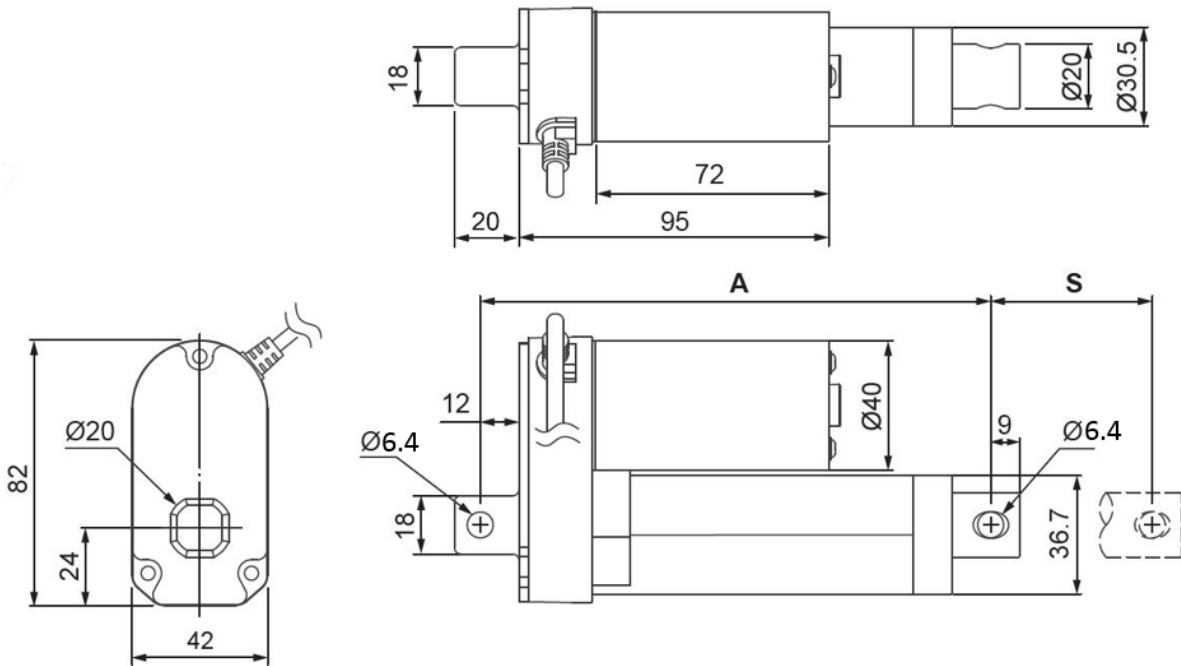
Standard Features:

- Compact design
- All aluminum frame and extension tube
- Nominal stroke lengths: 2" [50mm], 4" [100mm], 6" [150mm], 8" [200mm], 10" [250mm], 12" [300mm]
- Input voltage: 12VDC, 24VDC
- Gear ratios available: 20:1, 30:1
- Dynamic load range: 112 lbs. [500 Newtons] –to- 180 lbs. [800 Newtons] (push/pull)
- Maximum static load: 562 lbs. [2,500 Newtons]
- Maximum current draw: 1.2 Amps @ 12 VDC
- Speed at no load: 0.15 in/sec [3.8 mm/sec] –to- 0.23 in/sec [5.8 mm/sec]
- Speed at full load: 0.10 in/sec [2.6 mm/sec] –to- 0.15 in/sec [3.9 mm/sec]
- Standard preset limit switches at both ends of stroke
- Noise level: ≤55dB
- Mounting hole diameter (both ends): 1/4" [6.4mm]
- Duty cycle: 25% or 1 min continuous operation in 4 min.
- Working temperature: -13F [-25C] to +149F [+65C]
- IP rating: IP65

Accessories:

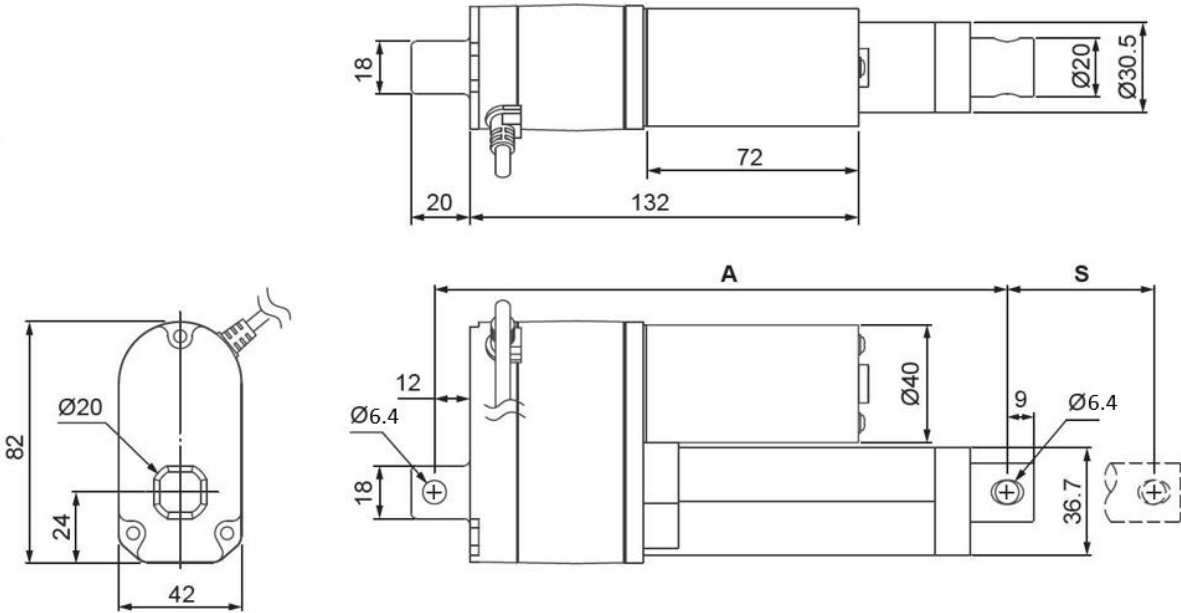
- Mounting brackets
- Direction reversing switches
- Wired and wireless controllers
- Direction reversing relays

Dimensions – Actuator Without Potentiometer



Nominal Stroke	2"		4"		6"		8"		10"		12"	
	in	mm	in	mm	in	mm	in	mm	in	mm	in	mm
Actual Stroke	1.97	50	3.94	100	5.91	150	7.87	200	9.84	250	11.81	300
Retracted Length (A)	6.22	158	8.23	209	10.24	260	12.24	311	14.25	362	16.26	413
Extended Length (B)	8.19	208	12.17	309	16.14	410	20.19	511	24.09	612	28.07	713

Dimensions – Actuator With Potentiometer

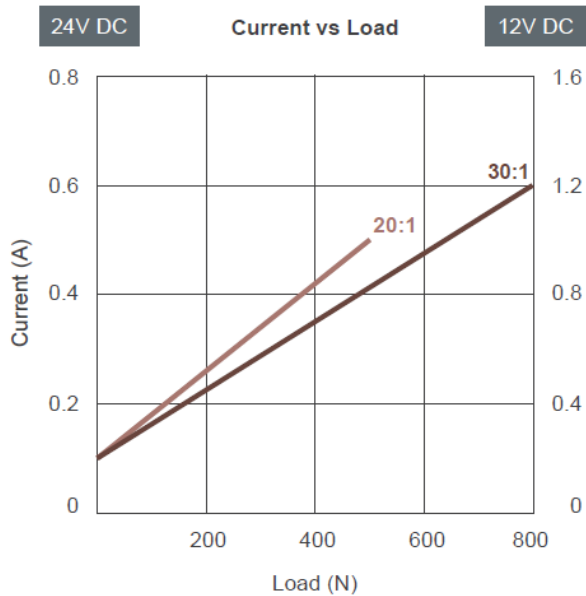
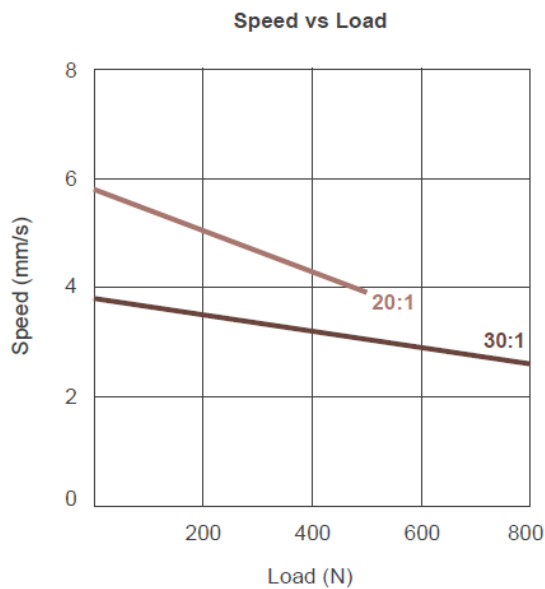


Nominal Stroke	2"		4"		6"		8"		10"		12"	
	in	mm	in	mm	in	mm	in	mm	in	mm	in	mm
Actual Stroke	1.97	50	3.94	100	5.91	150	7.87	200	9.84	250	11.81	300
Retracted Length (A)	7.68	195	9.69	246	11.69	297	13.70	348	15.71	399	17.72	450
Extended Length (B)	9.65	245	13.62	346	17.60	447	21.57	548	25.55	649	29.53	750

Performance Data

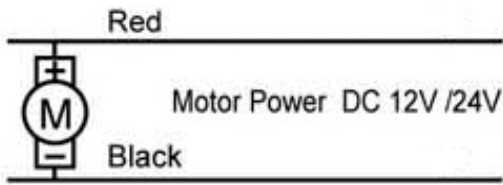
Gear Ratio	Max Load/Dynamic		Typical Speed/No Load		Typical Speed/Max Load	
	Lbs. [US]	Newtons	inches/sec	mm/sec	inches/sec	mm/sec
20:1	112	500	0.23	5.8	0.15	3.9
30:1	180	800	0.15	3.8	0.10	2.6

Gear Ratio	Typical Current (A)			
	No Load		Full Load	
	12 VDC	24 VDC	12 VDC	24 VDC
20:1	0.2	0.1	1.0	0.5
30:1	0.2	0.1	1.2	0.6



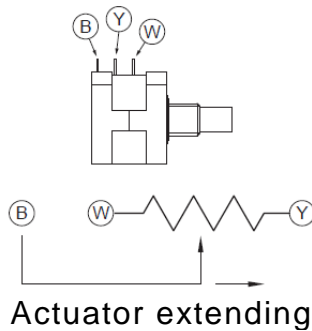
Note: The typical speed and typical current is the average value – not the upper or lower limit. The performance curves are made with typical values.

Electrical



Without Potentiometer
Red + // Black - : Extend
Red - // Black + : Retract

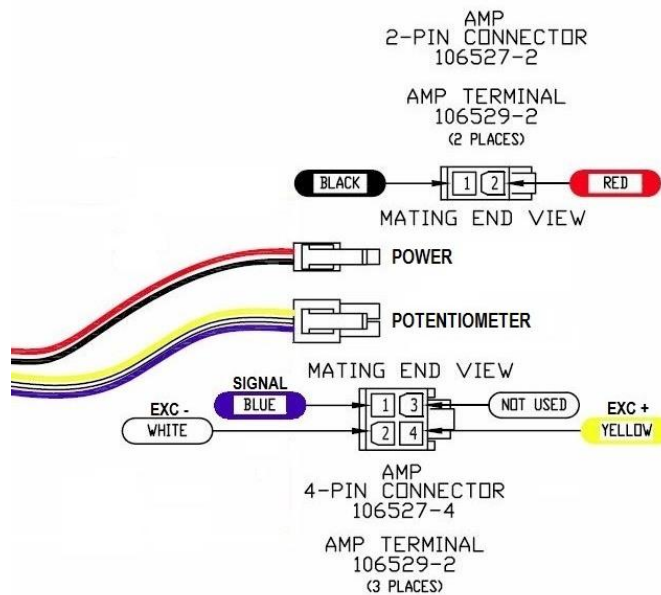
With Potentiometer
Red + // Black - : Retract
Red - // Black + : Extend



When fully retracted, the potentiometer reading will be in or near the range of 0 - 600Ω (between the blue and the white wires).

When fully extended, the potentiometer reading will be in or near the range of 8K - 10KΩ (between the blue and the white wires).

Connector Wiring



Ordering Key

LACT □ □ - □ V - □ Q

Standard Stroke (nominal)

- 2 : 2" [50mm]
- 4 : 4" [100mm]
- 6 : 6" [150mm]
- 8 : 8" [200mm]
- 10 : 10" [250mm]
- 12 : 12" [300mm]

Additional stroke lengths available

Potentiometer

- P : Potentiometer
- Blank : No Potentiometer

Input Voltage

- 12 : 12 VDC
- 24 : 24 VDC

Gear Ratio

- 20 : 20:1 – Standard Gear Ratio
- 30 : 30:1

Not all gear ratios stocked

Terms of Use

The user is responsible for determining the suitability of Concentric International products for specific applications. Due to continuous development in order to improve its products, Concentric International products are subject to change without prior notice. Concentric International reserves the right to discontinue the sale of any products at any time.