

Product Data Sheet

Reversing Toggle Switch – 4 wire

Standard Features:

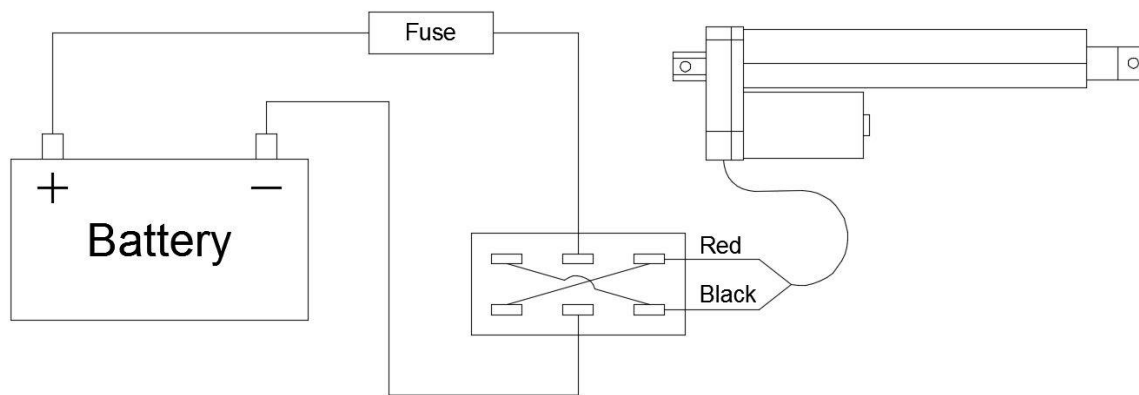
- Toggle switch
- DPDT
- 4-wire
- 12 VDC
- 30 Amp*
- ON-OFF-ON
- Polarity reversing circuit
- Terminals: ¼" quick connect
- Mounting: 0.48" diameter hole
- Mounting nut thread: M12x0.75



* when used with linear actuators at 25% Duty Cycle maximum

Part Numbers:

SWT-TOG-4W Maintained Contacts
SWT-TOG-MOM-4W Momentary Contacts



Terms of Use

The user is responsible for determining the suitability of Concentric International products for specific applications. Due to continuous development in order to improve its products, Concentric International products are subject to change without prior notice. Concentric International reserves the right to discontinue the sale of any products at any time.