

Product Data Sheet**Standard Features:**

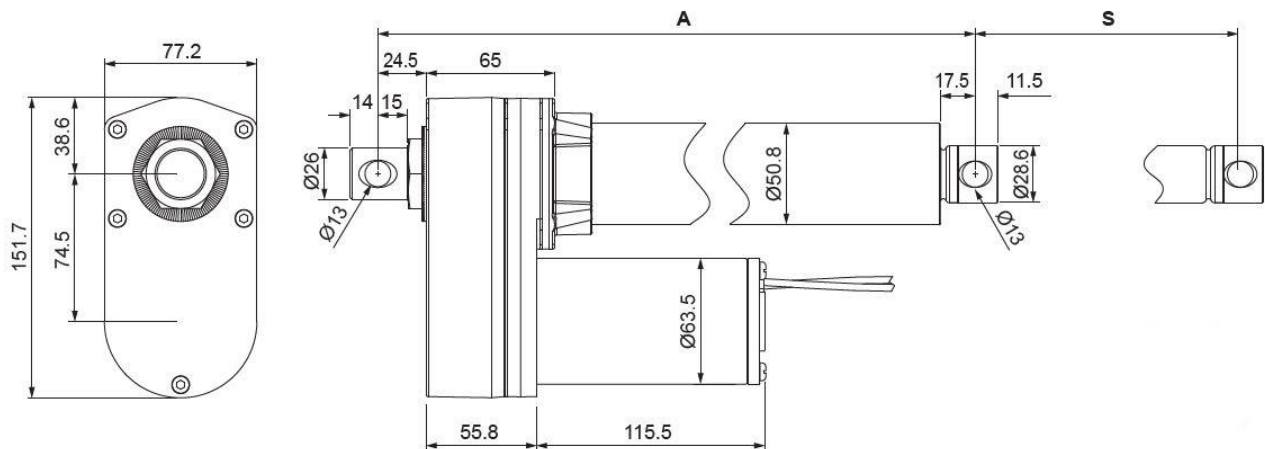
- Carbon steel frame with 304 stainless steel extension tube
 - Aluminum gearbox housing
- Stroke lengths: 4", 6", 8", 10", 12", 18", 24", [other stroke lengths available]
- Input voltage: 12VDC, 24VDC, 48VDC
- Standard gear ratio: 10:1 [5:1, 20:1, 30:1, 40:1 gear ratios available]
- Dynamic load range: 674 lbs. [3,000 Newtons] est. -to- 2,248 lbs. [10,000 Newtons]
- Maximum static load: 3,057 lbs. [13,600 Newtons]
- Maximum current draw (at full load): 28.7 Amps @ 12 VDC
- Speed at no load: 0.4 in/sec [9.6 mm/sec] -to- 3.2 in/sec [80.1 mm/sec]
- Speed at full load: 0.3 in/sec [8.5 mm/sec] -to- 2.4 in/sec [60.5 mm/sec]
- Overload clutch
- Ball screw drive
- Mounting hole diameter (both ends): 1/2" [13mm]
- Duty cycle: 25% or 2 min continuous operation in 8 min.
- Working temperature: -13F [-25C] to +149F [+65C]
- IP rating: IP65, IP69K

Accessories:

- Mounting brackets
- Direction reversing switches
- Direction reversing relays
- Direction reversing wireless controllers

Dimensions

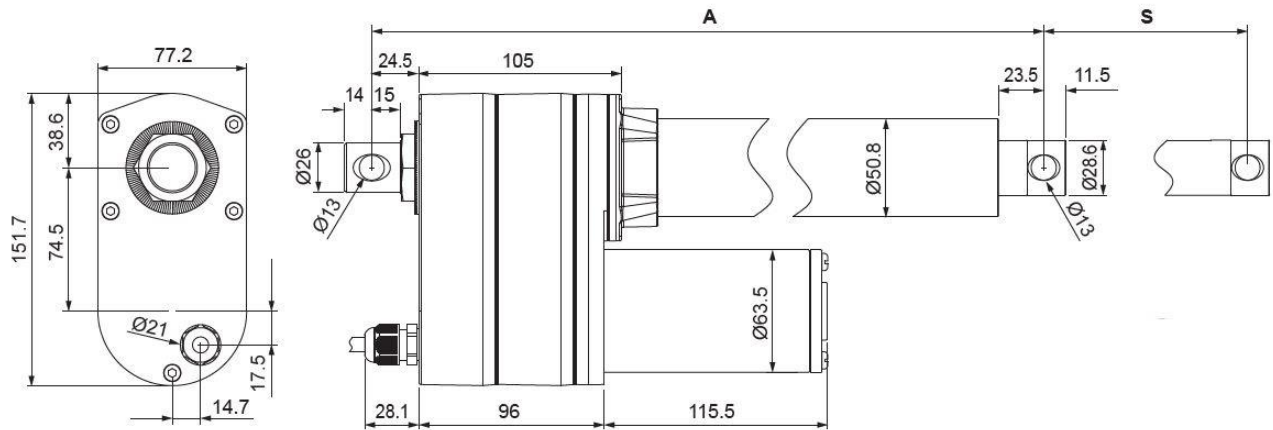
Standard (without Limit Switches or Potentiometer)



Nominal Stroke	4"		6"		8"		10"		12"		18"		24"	
	in	mm	in	mm	in	mm	in	mm	in	mm	in	mm	in	mm
Actual Stroke (S)	4.0	102	6.0	153	8.0	203	10.0	254	12.0	305	18.0	457	24.0	610
Retracted Length (A)	11.9	302	13.9	353	15.9	404	17.9	455	19.9	506	28.9	735	35.0	888
Extended Length	15.9	404	19.9	506	23.9	607	27.9	709	31.9	811	46.9	1192	59.0	1498

Tolerance: ±5mm

**Dimensions
With Only Limit Switches or Limit Switches and Potentiometer**



Nominal Stroke	4"		6"		8"		10"		12"		18"		24"	
	in	mm	in	mm	in	mm	in	mm	in	mm	in	mm	in	mm
Actual Stroke (S)	4.0	102	6.0	153	8.0	203	10.0	254	12.0	305	18.0	457	24.0	610
Retracted Length (A)	15.7	399	17.7	450	19.7	501	21.7	552	26.8	680	32.8	832	38.8	985
Extended Length	19.7	501	23.7	603	27.7	704	31.7	806	38.8	985	50.7	1289	62.8	1595

Tolerance: ± 7 mm

Performance Data

12 volt

Gear Ratio	Max Load/Dynamic		Typical Speed/No Load		Typical Speed/Max Load	
	Lbs. [US]	Newtons	inches/sec	mm/sec	inches/sec	mm/sec
5:1	674 est.	3000 est.	3.0	76.1	1.7	43.6
10:1	1012	4500	1.5	38.0	1.1	28.0
20:1	1461	6500	NDA	NDA	NDA	NDA
30:1	1798	8000	0.6 est.	14 est.	0.4 est.	11 est.
40:1	2248	10000	0.4	9.6	0.3	8.5

est. = estimated value

NDA = No Data Available

24 volt

Gear Ratio	Max Load/Dynamic		Typical Speed/No Load		Typical Speed/Max Load	
	Lbs. [US]	Newtons	inches/sec	mm/sec	inches/sec	mm/sec
5:1	674 est.	3000 est.	3.1	79.8	2.2	55.0
10:1	1012	4500	NDA	NDA	NDA	NDA
20:1	1461	6500	0.8	20.1	0.7	17.4
30:1	1798	8000	0.6 est.	14 est.	0.4 est.	11 est.
40:1	2248	10000	0.4	9.7	0.3	8.6

est. = estimated value

NDA = No Data Available

48 volt

Gear Ratio	Max Load/Dynamic		Typical Speed/No Load		Typical Speed/Max Load	
	Lbs. [US]	Newtons	inches/sec	mm/sec	inches/sec	mm/sec
5:1	674 est.	3000 est.	3.2	80.1	2.4	60.5
10:1	1012	4500	NDA	NDA	NDA	NDA
20:1	1461	6500	0.8	20.6	0.7	17.7
30:1	1798	8000	0.6 est.	14 est.	0.4 est.	11 est.
40:1	2248	10000	0.4	9.9	0.35	8.9

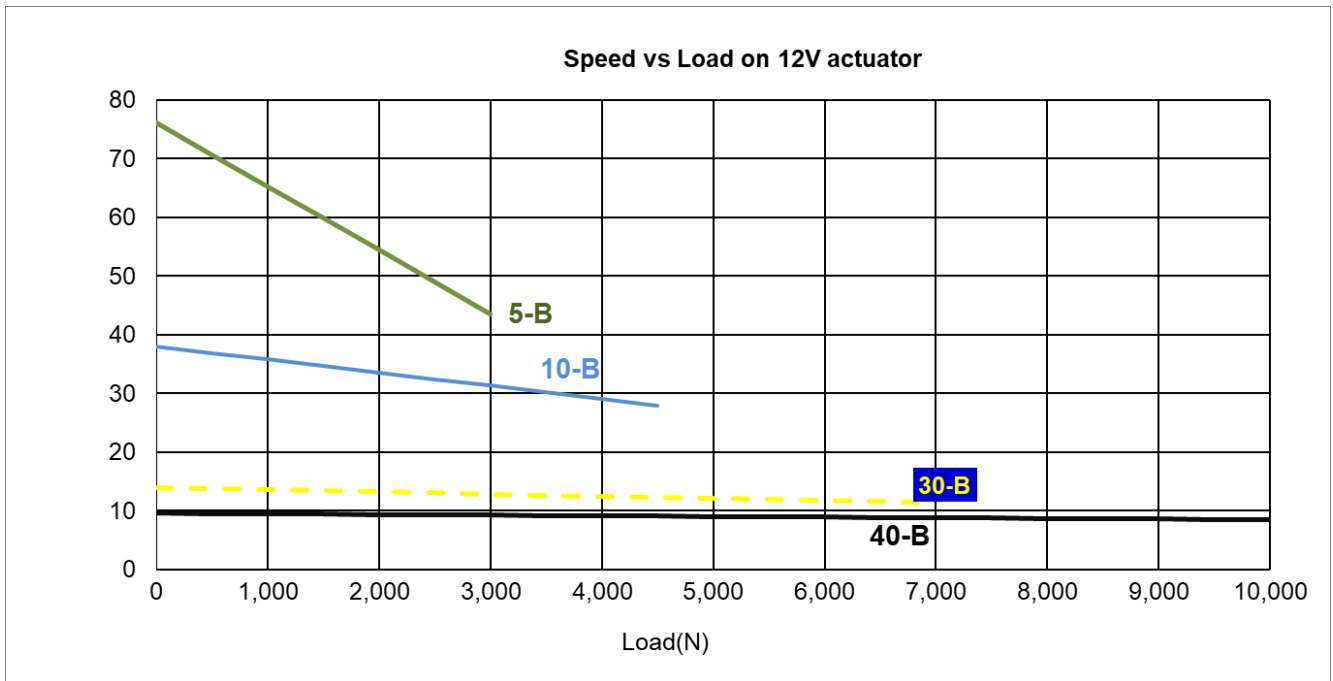
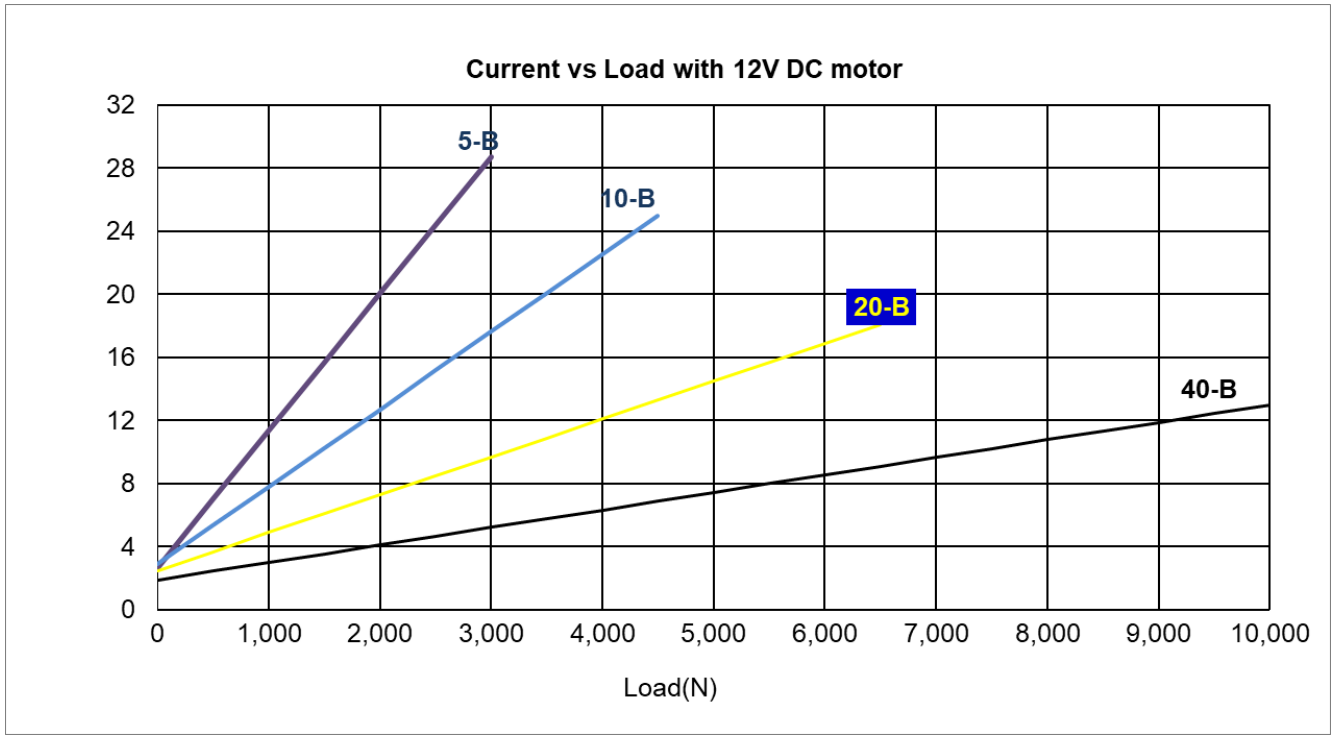
est. = estimated value

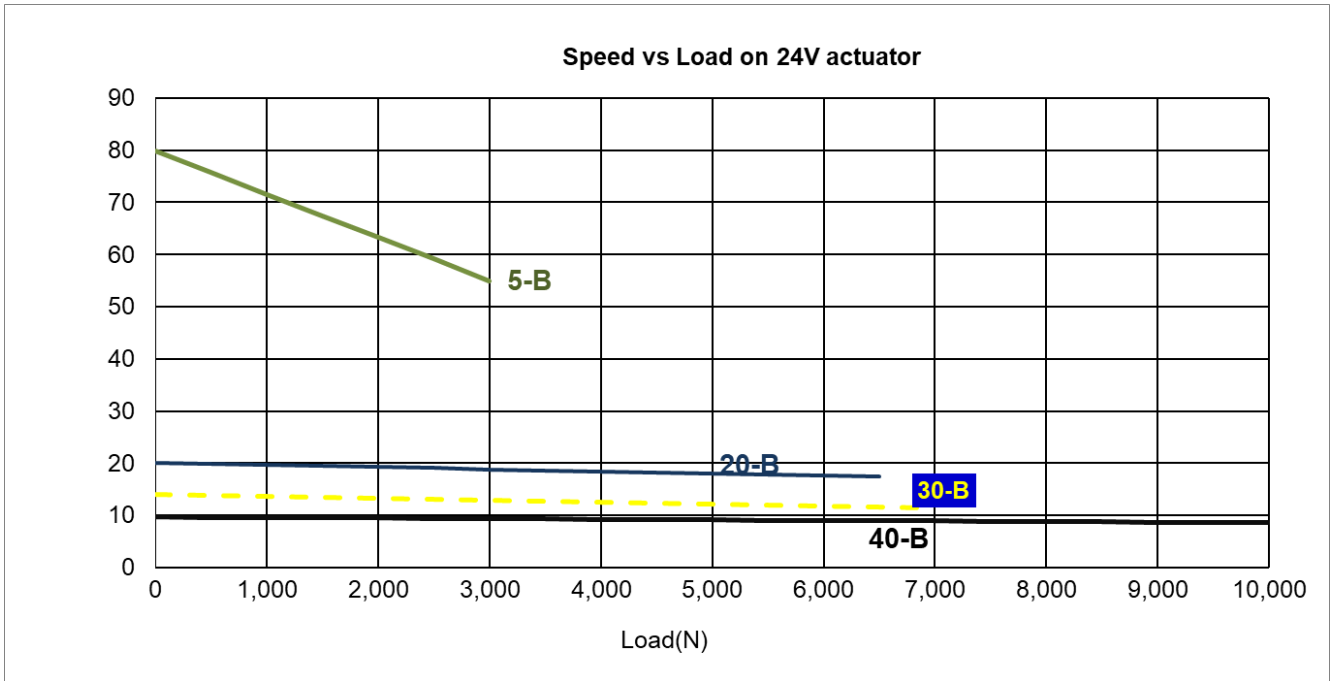
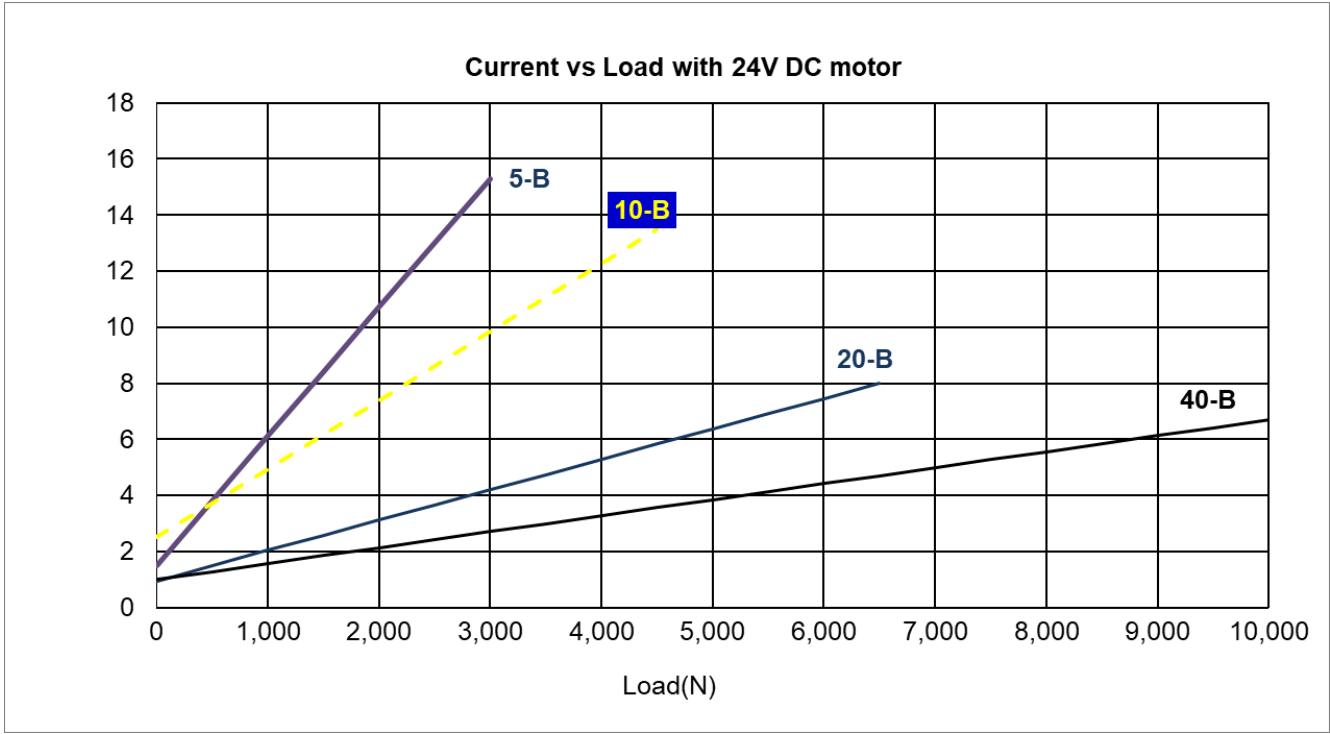
NDA = No Data Available

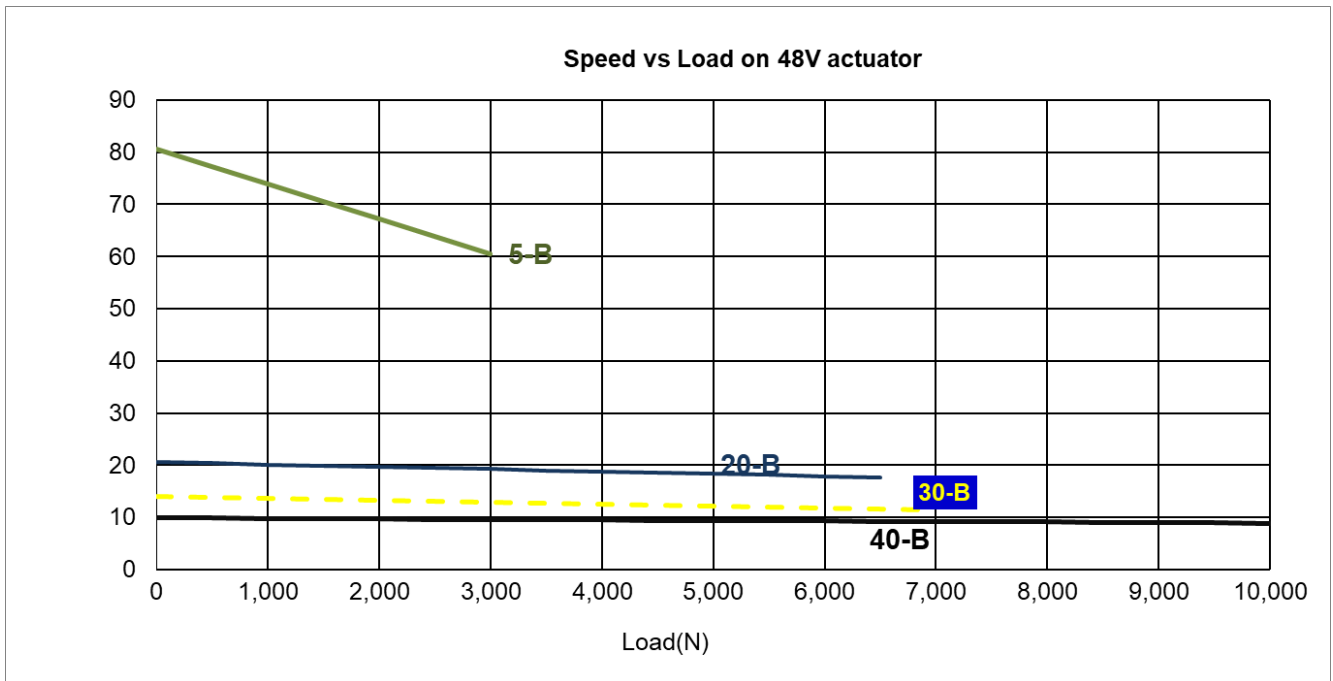
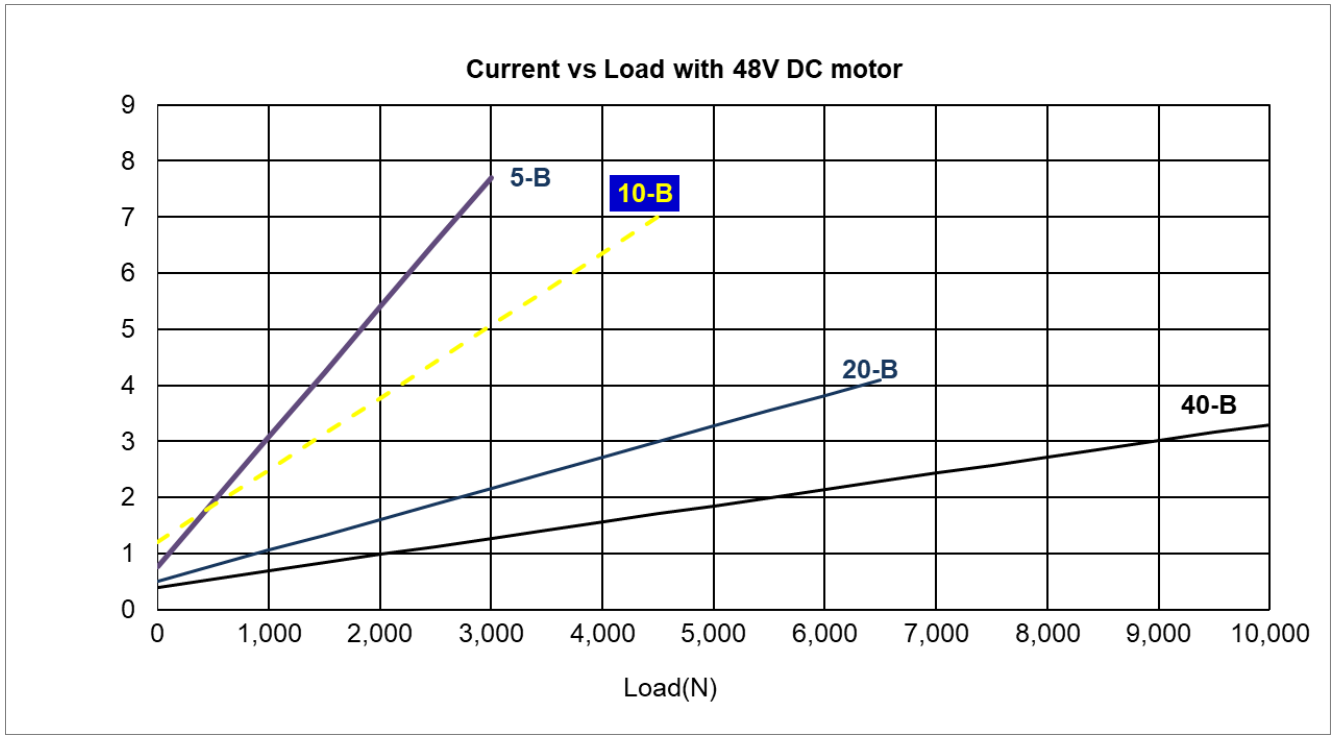
Gear Ratio	Typical Current (A)					
	No Load			Full Load		
	12 VDC	24 VDC	48 VDC	12 VDC	24 VDC	48 VDC
5:1	2.7	1.5	0.8	28.7	15.3	7.7
10:1	2.9	2.5 est.	1.2 est.	25.0	13.5 est.	7.0 est.
20:1	2.5 est.	1.0	0.5	18.1 est.	8.0	4.1
30:1	NDA	NDA	NDA	NDA	NDA	NDA
40:1	1.9	1.0	0.4	13.0	6.7	3.3

est. = estimated value

NDA = No Data Available

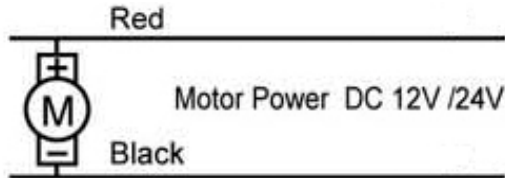






Electrical

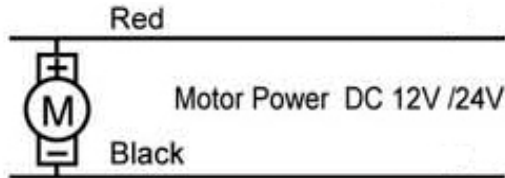
Standard



Gear Ratio: 5:1, 10:1, 20:1
Red + // Black - : Extend
Red - // Black + : Retract

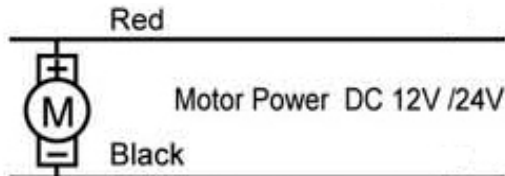
Gear Ratio: 30:1, 40:1
Red + // Black - : Retract
Red - // Black + : Extend

With Limit Switches



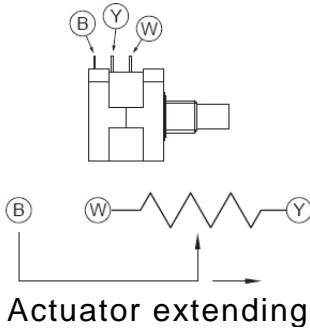
Gear Ratio: 5:1, 10:1, 20:1, 30:1, 40:1
Red + // Black - : Extend
Red - // Black + : Retract

**With Potentiometer
(or Limit Switches and Potentiometer)**



Gear Ratio: 5:1, 10:1, 20:1, 30:1, 40:1
Red + // Black - : Extend
Red - // Black + : Retract

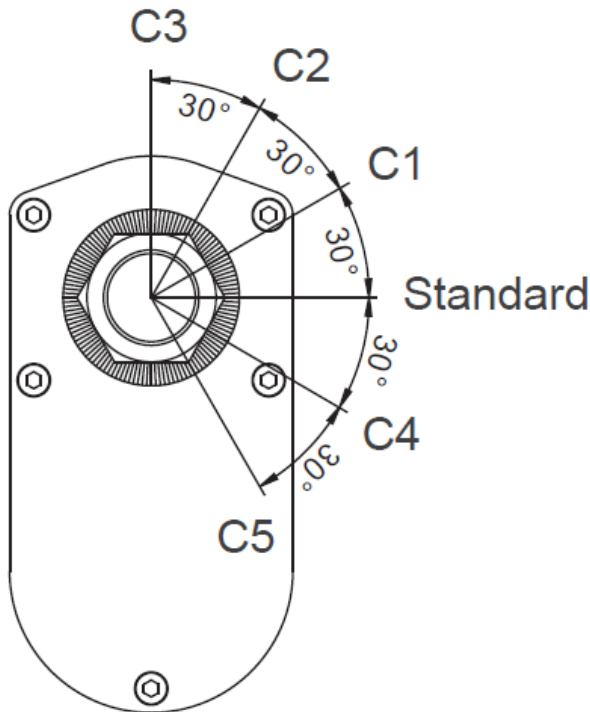
Potentiometer



When fully retracted, the potentiometer reading will be in or near the range of 0 - 600Ω (between the blue and the white wires).

When fully extended, the potentiometer reading will be in or near the range of 8K - 10KΩ (between the blue and the white wires).

Base Stud Mount Hole Orientation



Ordering Key

GF17 - - -

Input Voltage

- 12 : 12 VDC
- 24 : 24 VDC
- 48 : 48 VDC (available by special order)

Gear Ratio

- 05 : 5:1
 - 10 : 10:1
 - 20 : 20:1
 - 30 : 30:1
 - 40 : 40:1
- Not all gear ratios stocked

Stroke (nominal)

- 04 : 4" [102mm]
 - 06 : 6" [153mm]
 - 08 : 8" [203mm]
 - 10 : 10" [254mm]
 - 12 : 12" [305mm]
 - 18 : 18" [457mm]
 - 24 : 24" [610mm]
- Additional stroke lengths available

Options

- 0 : None
- 1 : Limit Switches
- 2 : Potentiometer
- 3 : Potentiometer and Limit Switches

IP Rating

- 65 : IP65
- 69 : IP69K (available by special order)

- Not all combinations stocked

Terms of Use

The user is responsible for determining the suitability of Concentric International products for specific applications. Due to continuous development in order to improve its products, Concentric International products are subject to change without prior notice. Concentric International reserves the right to discontinue the sale of any products at any time.